

SUNSHADE ORDER FORM

STEP 1: MEASURE WIDTH

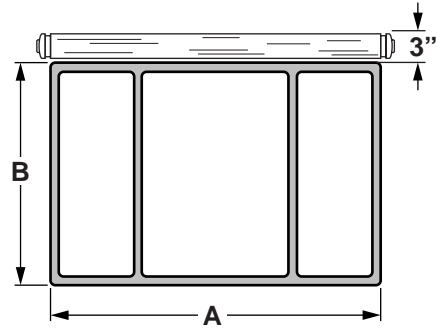
MINIMUM WIDTH = 30"; MAXIMUM WIDTH = 84"

WIDTH A = _____

Measure the width of the window including the frame (A). This is the minimum fabric width required.

Note: The mounting bracket is set approximately 2 1/2" in from the edge of the fabric. Each bracket mounting face measures 2 1/2" long by 1 1/16" tall.

Note: The Sunshade requires a minimum 3" flat mounting space above the window frame



STEP 2: MEASURE HEIGHT

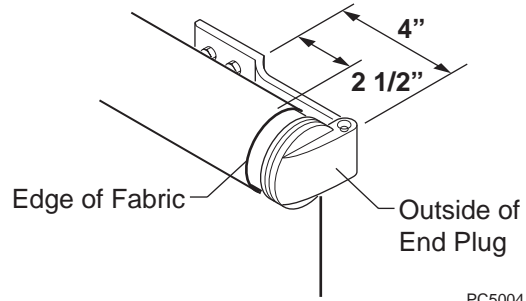
MINIMUM HEIGHT = N/A; MAXIMUM HEIGHT = 72"

HEIGHT B = _____

Measure the height of the window including the frame (B). This is the minimum fabric height required.

WARNING: THE SUNSHADE IS NOT INTENDED FOR USE OVER AN EMERGENCY EXIT OR FOR INDOOR USE!

CAUTION: MOUNTING ON AN ANGLED SURFACE MAY RESULT IN IMPROPER OPERATION OF THE SUNSHADE.



PC5004

STEP 3: CASTING COLOR

WHITE BLACK

STEP 4: SELECT COLOR

FULLVIEW

SIERRA BROWN CHARCOAL OCEAN BLUE
 BORDEAUX JADE

STEP 5: DEALERSHIP INFORMATION

DISTRIBUTOR TO BE BILLED THROUGH: _____

CAREFREE PRESIDENTS CLUB#: _____ PO#: _____

DEALER NAME: _____

ADDRESS: _____

CITY: _____ STATE: _____ ZIP CODE: _____

PHONE: _____ FAX: _____

CONTACT NAME: (IMPORTANT!) _____

MANDATORY!!
Order Cannot Be
Processed Without
Distributor Name

STEP 6: SHIPPING INFORMATION

STANDARD SHIPPING NEXT DAY SECOND DAY (SOME LOCATION RESTRICTIONS MAY APPLY)
 (ALL NEXT DAY AND SECOND DAY AIR FEES ARE PAID BY DEALER)

Orders can also be placed on-line @ www.e-Carefree.com



2145 W. 6th Ave.
 Broomfield, CO 80020
 Phone: 1-800-621-2617
 FAX: 1-800-731-8600



**IS YOUR ORDERING
 INFORMATION COMPLETE?**
 Custom orders are
 non-returnable